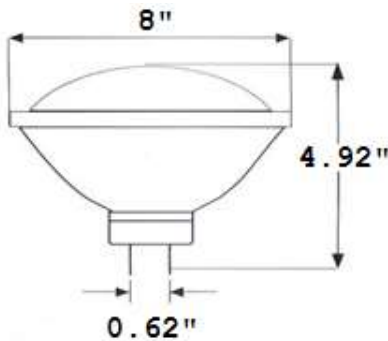


LED PAR64 – Dimmable and Non Dimmable Option

FEATURES & SPECIFICATION SHEET



Application

The PAR64 series LED retrofit lamp is specifically designed to replace Halogen and MH lamps in existing light fixtures providing 90% in energy savings and is a one for one replacement.

Suitable for Houses of Worship, Stages, Hotels, Pools, High Rises, Casinos, Banquet Halls, Fountains, Waterfalls, Ponds and more!

Features

- Multiple Beam angles (i.e. Flood, Spot – see table)
- Direct to AC (Direct Wire) connection GX16D 2 pin base
- 114Lm/Watt LED Array.
- Designed for Indoor use
- Formed Thermal Plastic housing with Integrated Heat Sinks

LED PCB & Driver

A long lifecycle rating of 30,000 hours or about 9 years operating hours 12 hours per 7 days per week. LED array and Driver features Class P rating, THD of less than 10, constant output wattage, and a fail-safe protection.

Warranty

The PAR64 LED lamp is guaranteed for 2 years against manufacturing defects.

Ordering Information

PAR64S - 3K - NSP - H

Model	Color	Beam	Volts
-------	-------	------	-------

MODEL	*COLOR TEMP	BEAM ANGLE	VOLTS	WATTS	BASE	LUMENS	REPLACES (Halogen)
PAR64S	3000k	NSP (Narrow Spot - 25°)	120V	35w	GX16D	3990Lms	350w
PAR64D	4000k	MFL (Medium Flood - 60°)	120V	35w	GX16D	3990Lms	350w
	5000k	WFL (Wide Flood - 120°)	(Dimmable)				
	6000k						
	RGB (multicolor)						