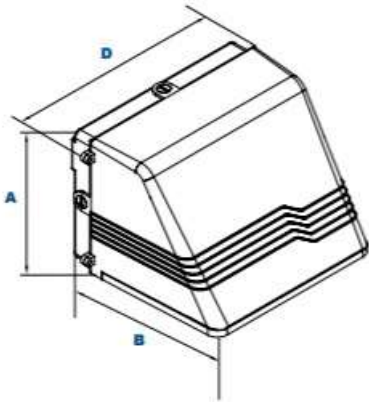




LWPC – LED Wall Pack

FEATURES & SPECIFICATION SHEET



Ordering Information	
LWPC40 - H	
Model	Volts

Application

The LWPC series Full Cut-Off Wall Pack Light fixture is specifically designed to provide full cut-off light spread providing a Dark Skies Compliant, durable, and efficient LED wall pack lighting solution.

The WPC Series is designed to replace High Pressure Sodium (HPS), Metal Halide (MHL), High Intensity Discharge (HID) and Compact Fluorescent (CFL) lamps.

Typical wall mounted lighting applications include: Retail Centers, Industrial Parks, Schools and Universities, Public Transit and Airports, Office Buildings and Medical Facilities and much more.

Mounting heights of 12 to 18 feet can be used based on light level and uniformity requirements.

Features

- Available in: 120-277v / 480v
- Philips Lumileds LED Array
- Tempered Clear Glass Flat Lens
- Die Cast Aluminum Housing
- IP55 Internal Driver
- UL DLC listed
- High power factor, Adjustable Array
- Full cutoff distribution

LED PCB & Driver

A long lifecycle rating of 100,000 hours

Warranty

Fixture is guaranteed for 5 years against manufacturing defects.

MODEL	VOLTS L = 120-277v H = 480v	COLOR TEMP	WATTS	REPLACES HPS, MHL, HID	LUMENS	DIMENSIONS L (B) x W (D) x H (A)
LWPC45	L / H	5K	45w	200W	6600	11.38" x 14.25" x 9.13"
LWPC90	L / H	5K	90w	300W	12200	11.38" x 14.25" x 9.13"
LWPC135	L / H	5K	135w	350W	18000	11.38" x 14.25" x 9.13"