

LFLS – LED OUTDOOR FLOOD LIGHT

FEATURES & SPECIFICATION SHEET



(Shown with Slipfitter Mount)

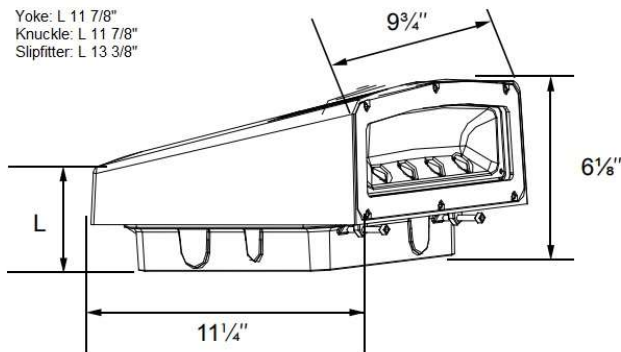


(Shown with Adjustable Knuckle)



(Shown with Yoke Mount)

Yoke: L 11 7/8"
Knuckle: L 11 7/8"
Slipfitter: L 13 3/8"



Application

The LFLS series Flood Light fixture with Adjustable Bracket Mounting is an ideal choice for replacement of common HPS and Metal Halide Area lighting fixtures. Common applications include: Parks, shopping malls, outlets, plazas, city halls and historic areas.

Features

- Miniature Adjustable LED Flood/Area Light
- Tempered Flat Clear Glass Lens with aluminum reflector
- Die Cast Aluminum Housing & Hinged Top Frame, Textured Architectural Bronze Powder-coat Finish over a Chromate Conversion Coating
- Instant start and re-strike
- Mounting Options: Slipfitter, Yoke Mount, Adjustable Knuckle
- 3000K, 4000K and 5000k Available Color Temps
- DLC
- *Mounting Options: S = Slip fitter, A = Adjustable Knuckle, Y = Yoke Mount

LED PCB & Driver

A long lifecycle rating of 50,000 hours

Warranty

Fixture is guaranteed for 5 years against manufacturing defects.

MODEL	WATTS	VOLTS L = 120-277v	COLOR TEMP	*MOUNTING OPTIONS	RETROFIT WATTS	LUMENS
LFLS60	60w	L	3K, 4K, 5K	S / A / Y	≤ 300W	7800Lms
LFLS80	80w	L	3K, 4K, 5K	S / A / Y	≤ 400W	10400Lms