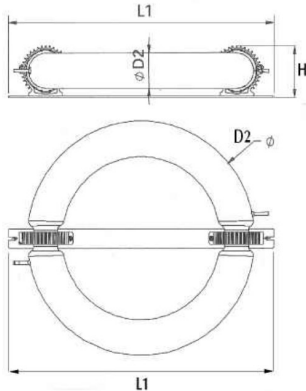


ILRLB Saturn Induction Lamp (Lamp Only)

FEATURES & SPECIFICATION SHEET



Application

The ILRLB round-loop induction lamps are low frequency electrodeless discharge (LFED) units. They are an ideal choice for replacement of common HID, Incandescent, or fluorescent lamps with 50-70% reduction in energy usage.

Features

- Lamp envelope is constructed of a high-temp silicon glass and solid amalgam channel in a sealed unit.
- Dual external inductors at fixed points surrounding the envelope.
- UL\C-UL listed to US and Canadian safety standards for ambient operation from -40°F to 122°F (-40°C to 50°C)

Performance

A long lifecycle rating of 100,000 hours or about 23 years operating hours 12 hours per day, 7 days per week. Electronic ballast features THD of less than 10%, constant output wattage, and fail-safe protection.

Warranty

Guaranteed for 5 years against manufacturing defects.

Ordering Information	
ILRLB120	- 5K
Model	Color

MODEL	*COLOR TEMP	WATTS	LUMENS	LM/W	VOLTS U = 120-277	CURRENT	PWR FACTOR	DIMENSIONS L1 / H/ D2
ILRLB40	5000K	40	3200	70-75	U	0.38 - 0.17	0.98	7.08" x 2.7" x 1.65"
ILRLB60	5000K	60	4800	70-75	U	0.52 - 0.23	0.98	7.08" x 2.7" x 1.65"
ILRLB80	5000K	80	6500	70-75	U	0.73 - 0.35	0.98	9.61" x 3.2" x 2.1"
ILRLB100	5000K	100	8100	75-80	U	0.93 - 0.40	0.98	9.61" x 3.2" x 2.1"
ILRLB120	5000K	120	9600	75-80	U	1.09 - 0.48	0.98	13.1" x 3.2" x 2.1"
ILRLB150	5000K	150	12000	75-80	U	1.36 - 0.59	0.98	13.1" x 3.2" x 2.1"
ILRLB200	5000K	200	16500	80-85	U	1.77 - 0.77	0.98	13.8" x 3.5" x 2.3"
ILRLB250	5000K	250	21750	85-90	U	2.21 - 0.96	0.98	15.9" x 3.5" x 2.25"
ILRLB300	5000K	300	26100	85-90	U	2.65 - 1.15	0.98	16.5" x 3.5" x 2.24"
ILRLB400	5000K	400	34800	85-90	U	3.45 - 1.54	0.98	19" x 3.5" x 2.24"

(*Available Color Temp Range 3000k – 6500k on request.)

InductionLightingFixtures.com

Toll Free: 855-453-2852 | Email: info@inductionlightingfixtures.com