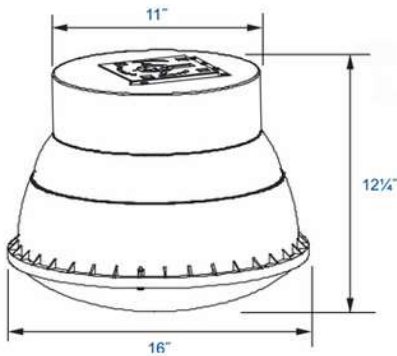


IGF7 INDUCTION GARAGE FIXTURE

FEATURES & SPECIFICATION SHEET



Application

The IGF7 aluminum garage fixture is an ideal choice for replacement of common High Pressure Sodium and Metal Halide Garage fixtures. Its electronic ballast features a high >0.98 power factor for cool, efficient, flicker-free operation. Common applications include: service hallways, parking garages, loading docks, stairwells, utility closets, gas stations, shopping malls, even certain retail and wholesale applications.

Features

- 16" Round Garage / Canopy Fixture
- Die Cast Aluminum Housing with textured Powder Coat Finish over a Chromate Conversion Coating
- Prismatic Poly-carbonate Lens with hinged gasket and drop lens
- UL 1598 listed for wet locations
- IP43 Rated

Performance

A long lifecycle rating of 100,000 hours or about 23 years operating 12 hours per day, 7 days per week. Electronic ballast features THD of less than 10%, constant output wattage, and fail-safe protection.

Warranty

Fixture guaranteed for 10 years against manufacturing defects. Lamp and ballast guaranteed for 5 years.

MODEL	WATTS	VOLTS L = 120-277v H = 480v	*COLOR TEMP	LUMENS	DIMENSIONS (W x L)
IGF740	40w	L / H	5000k	3200lms	16" x 12"
IGF760	60w	L / H	5000k	4800lms	16" x 12"
IGF780	80w	L / H	5000k	6400lms	16" x 12"
IGF7100	100w	L / H	5000k	8000lms	16" x 12"

(*Available Color Temp Range 3000k – 6500k (Warm to Cool) on request.)