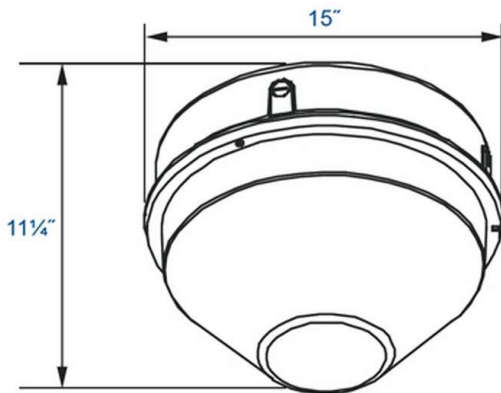


IGF5 INDUCTION GARAGE FIXTURE

FEATURES & SPECIFICATION SHEET



Ordering Information	
Model	Color
IGF5100	5K

MODEL	WATTS	*COLOR TEMP	VOLTS U = 120-277v	LUMENS	MAX LINE CURRENT AMP @ 120-277v	THD	DIMENSIONS (W x L)
IGF540	40w	5000k	U	3600lm	0.34 - 0.15	<10%	15" x 11.5"
IGF560	60w	5000k	U	5100lm	0.52 - 0.22	<10%	15" x 11.5"
IGF580	80w	5000k	U	6400lm	0.69 - 0.30	<10%	15" x 11.5"
IGF5100	100w	5000k	U	8000lm	0.87 - 0.37	<10%	15" x 11.5"
IGF5120	120w	5000k	U	9600lm	1.05 - 0.45	<10%	15" x 11.5"

(*Available Color Temp Range 3000k – 6500k (Warm to Cool) on request.)

Application

The IGF5 series aluminum garage fixture is an ideal choice for replacement of common High Pressure Sodium and Metal Halide Garage fixtures. Its electronic ballast features a high >0.98 power factor for cool, efficient, flicker-free operation. Common applications include: service hallways, parking garages, loading docks, stairwells, utility closets, gas stations, shopping malls, even certain retail and wholesale applications.

Features

- 15" Round Garage / Canopy Fixture
- Die Cast Aluminum Housing, Bronze Powder-coat finish over a chromate conversion coating
- Extended Clear Prismatic Polycarbonate Lens
- UL listed for wet locations
- IP43 Rated

Performance

A long lifecycle rating of 100,000 hours or about 23 years operating 12 hours per day, 7 days per week. Electronic ballast features THD of less than 10%, constant output wattage, and fail-safe protection.

Warranty

Fixture guaranteed for 10 years against manufacturing defects. Lamp and ballast guaranteed for 5 years.