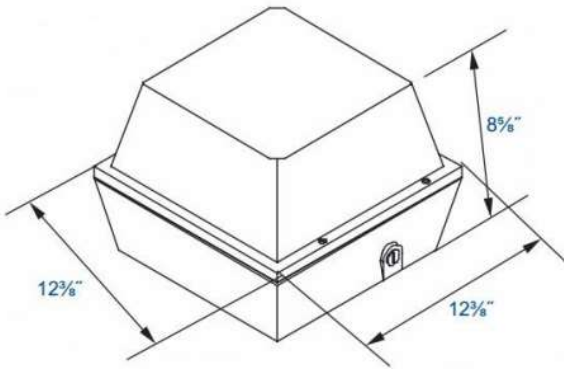


IGF2 INDUCTION GARAGE FIXTURE

FEATURES & SPECIFICATION SHEET



Application

The IGF2 series aluminum garage fixture is an ideal choice for replacement of common High Pressure Sodium and Metal Halide Garage fixtures. Its electronic ballast features a high >0.98 power factor for cool, efficient, flicker-free operation. Common applications include: service hallways, parking garages, loading docks, stairwells, utility closets, gas stations, shopping malls, even certain retail and wholesale applications.

Features

- 12" Vandal Resistant Garage Fixture
- Die Cast Aluminum Housing with Bronze Powder-coat finish
- Clear Prismatic Polycarbonate Lens
- UL 1598 listed for wet locations
- IP43 Rated

Performance

A long lifecycle rating of 100,000 hours

Warranty

Fixture guaranteed for 5 years against manufacturing defects.

Ordering Information

IGF2100 - 5K

Model Color

MODEL	WATTS	*COLOR TEMP	VOLTS L = 120-277v H = 480v	LUMENS	DIMENSIONS (W x L)
IGF240	40w	5000k	L / H	3200lm	12.38" x 8.38"
IGF260	60w	5000k	L / H	4800lm	12.38" x 8.38"
IGF280	80w	5000k	L / H	6400lm	12.38" x 8.38"
IGF2100	100w	5000k	L / H	8000lm	12.38" x 8.38"

(*Available Color Temp Range 3000k – 6500k (Warm to Cool) on request.)