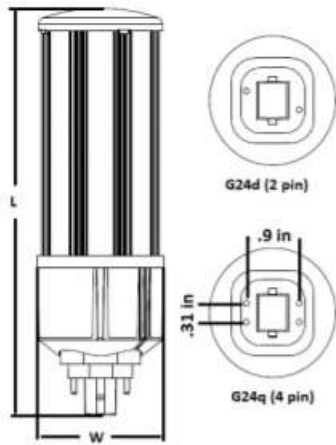


# LED ICS LED Corn Cob PL

## FEATURES & SPECIFICATION SHEET



### Application

The ICS Series LED retrofit lamp, is specifically designed to replace HID, MH, and CFL lamps in existing light fixtures providing 60-90 percent in energy savings.

### Features

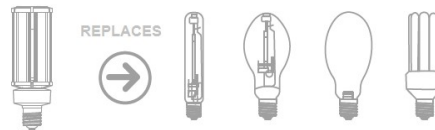
- 360° beam angle, GX24d (2-pin) or GX24q (4-pin) Base
- Direct to AC (Direct Wire) connection or Ballast Compatible (Plug & Play)
- 120Lm/Watt LED Array
- Designed for use in open or enclosed fixtures
- Durable Aluminum Construction
- Compact Design
- IP64 Rated
- UL Listed

### LED PCB & Driver

A long lifecycle rating of 50,000 hours

### Warranty

Lamp is guaranteed for 5 years against manufacturing defects.



#### Ordering Information

ICS-7	-	L	-	5K	-	G24d
Model		Volts		Color		Base

MODEL	DRIVER L = 120 – 277V	*COLOR TEMP	BASE d = 2 Pin q = 4 P	WATTS	LUMENS	REPLACES (HPS MHL HID)	DIMENSIONS
ICS-5	L	5000k	G24d / G24q	5w	600Lms	11w	4.8" x 1.77"
ICS-7	L	5000k	G24d / G24q	7w	840Lms	13w	4.8" x 1.77"
ICS-9	L	5000k	G24d / G24q	9w	1080Lms	18w	5.4" x 1.77"
ICS-12	L	5000k	G24d / G24q	12w	1440Lms	26w	6.2" x 1.77"
ICS-15	L	5000k	G24d / G24q	15w	1530Lms	32w	6.1" x 2.17"
ICS-20	L	5000k	G24d / G24q	20w	2400Lms	42w	6.9" x 2.17"

(\*Available Color Temp Range 3000k – 5000k (Warm to Cool) on request.)