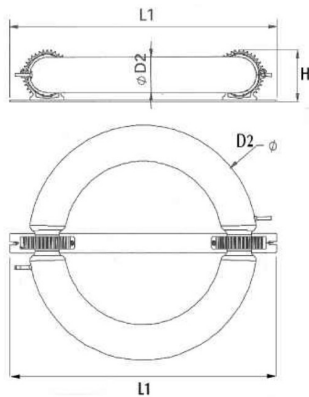


## C-W/RZ LVD Saturn Induction Lamp (Lamp Only)

### FEATURES & SPECIFICATION SHEET



#### Application

The C-W/RZ LVD round-loop induction lamps are low frequency electrodeless discharge (LFED) units. They are an ideal choice for replacement of common HID, Incandescent, or fluorescent lamps with 50-70% reduction in energy usage.

#### Features

- Lamp envelope is constructed of a high-temp silicon glass and solid amalgam channel in a sealed unit.
- Dual external inductors at fixed points surrounding the envelope.
- UL\C-UL listed to US and Canadian safety standards for ambient operation from -40°F to 122°F (-40°C to 50°C)

#### Performance

A long lifecycle rating of 100,000 hours or about 23 years operating hours 12 hours per day, 7 days per week. Electronic ballast features THD of less than 10%, constant output wattage, and fail-safe protection.

#### Ordering Information

**C-40W/RZ - 5K**

Model      Color

#### Warranty

MODEL	*COLOR TEMP	WATTS	VOLTS <small>U = 120-277</small>	LUMENS	LM/W	CURRENT	PWR FACTOR	DIMENSIONS L1 / H/ D2
C-40W/RZ	5000k	40	U	3200	70-75	0.38 - 0.17	0.98	7.08" x 2.7" x 1.65"
C-50W/RZ	5000k	50	U	3700	70-75	0.52 - 0.23	0.98	7.08" x 2.7" x 1.65"
C-80W/RZ	5000k	80	U	6500	70-75	0.73 - 0.35	0.98	9.61" x 3.2" x 2.1"
C-120W/RZ	5000k	120	U	9600	75-80	1.09 - 0.48	0.98	13.1" x 3.2" x 2.1"
C-150W/RZ	5000k	150	U	12000	75-80	1.36 - 0.59	0.98	13.1" x 3.2" x 2.1
C-200W/RZ	5000k	200	U	16500	80-85	1.77 - 0.77	0.98	13.8" x 3.5" x 2.3
C-250W/RZ	5000k	250	U	21750	85-90	2.21 - 0.96	0.98	15.9" x 3.5" x 2.25
C-300W/RZ	5000k	300	U	26100	85-90	2.65 - 1.15	0.98	16.5" x 3.5" x 2.24

(\*Available Color Temp Range 3000k – 6500k on request.)

[InductionLightingFixtures.com](http://InductionLightingFixtures.com)

Toll Free: 855-453-2852 | Email: [info@inductionlightingfixtures.com](mailto:info@inductionlightingfixtures.com)