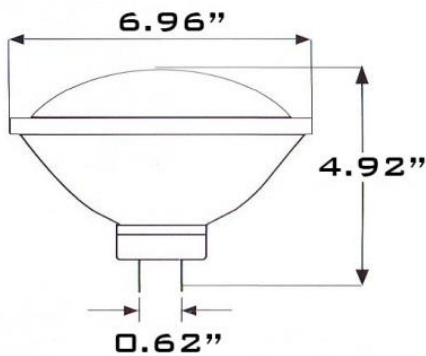


LED PAR56 – Dimmable and Non Dimmable Option

FEATURES & SPECIFICATION SHEET



Ordering Information

PAR56S - 3K - NSP - 120V

Model	Color	Beam	Volts
PAR56S	3K	NSP	120V

Application

The PAR56 series LED retrofit lamp is specifically designed to replace Halogen and MH lamps in existing light fixtures providing 90 percent in energy savings and is a one for one replacement. Suitable for Houses of Worship, Stages, Hotels, Pools, High Rises, Casinos, Banquet Halls, Fountains, Waterfalls, Ponds and more!

Features

- Multiple Beam angle (i.e. Flood, Spot – see table)
- Direct to AC (Direct Wire) connection GX16D 2 pin base
- 110Lm/Watt LED Array.
- Designed for use in underwater fixtures.
- Formed Thermal Plastic housing with Integrated Heat Sinks

LED PCB & Driver

A long lifecycle rating of 35,000 hours or about 9 years operating hours 12 hours per 7 days per week. LED array and Driver features Class P rating, THD of less than 10, constant output wattage, and a fail-safe protection.

Warranty

The PAR56 LED lamp is guaranteed for 3 years against manufacturing defects.

MODEL	*COLOR TEMP	BEAM ANGLE	VOLTS	WATTS	BASE	LUMENS	REPLACES (Halogen)
PAR56S	3000k	NSP (Narrow Spot)	120V	35w	GX16D	3700Lms	350-500w
PAR56D	4000k	MFL (Medium Flood)	120V	35w	GX16D	3700Lms	350-500w
	5000k	WFL (Wide Flood)					
	6000k						
	RGB (multicolor)						