

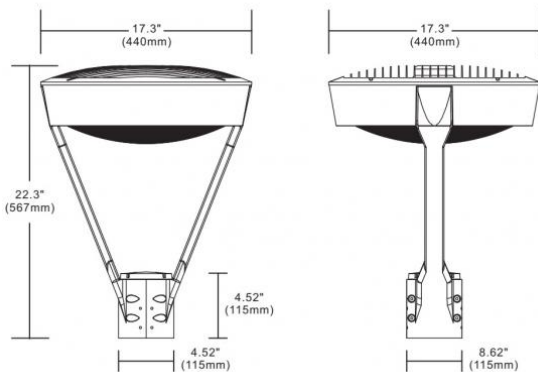


IL-PT9800 LED POLE / POST TOP LIGHT

FEATURES & SPECIFICATION SHEET



DIMENSIONS



(Pole Not Included)



Application

The IL-PT9800 series Post Top Area Light Fixture is specifically designed to combine consistent light quality with a Modern Design and High Quality Construction. Replaces common HPS, MV, and Metal Halide fixtures with an energy-efficient LED based system. Suitable for Plazas, Walkways, Boulevards, Malls, Town Squares, and general Area Lighting applications. 3 way Power Selectable and US Made.

Features

- Installation accepts standard 3 inch pole mount
- Corrosion resistant heavy-duty cast aluminum
- Durable powder-coat finish
- CSA listed for wet locations – 3G Vibration Rated
- Instant start and re-strike – 121 lumens/watt
- High Power Factor >0.98
- 3k/4k/5k Color Temp Selectable - CRI 82+

Performance

Provides a long lifecycle rating of 50,000 hours

Warranty

Fixture guaranteed for 5 years against manufacturing defects.

MODEL	WATTS	VOLTS L = 120-277v H = 480v	COLOR TEMP	RETROFIT WATTS	LUMENS	DIMENSIONS
IL-PT9800-80	45/60/80w	L / H	3K, 4K, 5K	Up to 300W	9600lm/max	17"x17"x22"
IL-PT9800-160	100/125/160w	L / H	3K, 4K, 5K	Up to 600W	19250lm/max	17"x17"x22"