

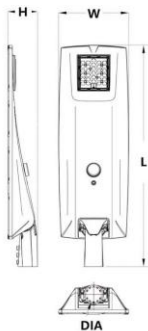


Total Off-Grid Solution = 0% Electricity, 0% Costs, No
Trenching and No Cabling required.

Integrated All-In-One Solar – ILLS Series

(Fixture Only – Pole Sold Separately)

FEATURES & SPECIFICATION SHEET



Application

The ILLS Series All-In-One Solar Powered LED Area Lamp is a standalone solution specifically designed for Walkways, Parking Lots, Street Lighting and Area Lighting Applications. All Units come with integrated solar panel and Lithium Ion Battery with Programmable Motion Detection and Dimming. The True Stand-Alone Solution. No wiring infrastructure necessary.

Features

- Integrated Solar Array, Lithium Ion Battery, LED Array and Solar Controller
- Integrated Light and Motion Sensor
- Corrosion resistant Aluminum Alloy
- Battery: 18650 Lithium Battery 12v
- Solar Panel: 18V mono crystalline silicon
- Operating Time: Full power >12 hours, Intelligent mode 3-4 days
- Control Mode: Built-in Light Control + Sensor: (30% operation, increases to 100% when motion detected)
- Beam Angle 150 degrees
- CRI <80
- IP 65 Rated
- Standard 5000K CT

LED Array, Lithium ION Cell & Solar Controller

A Long lifecycle rating of 50,000 hours. (Approximately 12 years operating 12 hours/day, 7 days/week). Suggested Install height between 12ft up to 30ft.

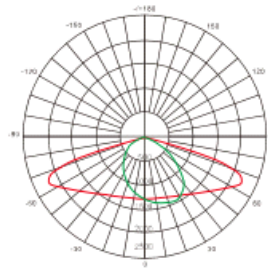
Warranty

Solar Fixture is guaranteed for 5 years against Manufacturing defects.

MODEL	COLOR TEMP	WATTS	LUMENS	AH	REPLACES MH / HPS	DIMENSIONS LxWxH
ILLS50	5000k	50w	5000lm	20Ah	300W	29"x10"x4"
ILLS70	5000k	70w	7000lm	50Ah	400W	37"x12"x5"

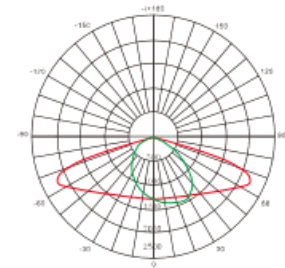


DISTRIBUTION DIAGRAM



AVERAGE EAM ANGLE(50%): 120°
 TestNumber: LS-SLS50W
 Lumens: 4500 LM
 TestNumber: 50W
 TestNumber: 5700K

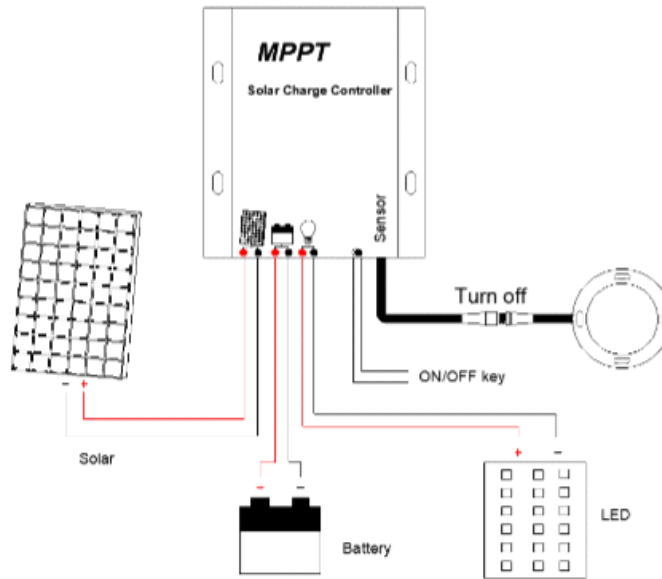
UNIT:CD
 - C0/180, 157
 - C30/210, 128.2
 - C60/240, 87.5
 - C90/270, 79.9



AVERAGE EAM ANGLE(50%): 120°
 TestNumber: LS-SLS70W
 Lumens: 7200 LM
 TestNumber: 70W
 TestNumber: 5700K

UNIT:CD
 - C0/180, 157
 - C30/210, 128.2
 - C60/240, 87.5
 - C90/270, 79.9

Internal Wiring Diagram:



Warning:

1. Do not install in high temperature, closed, non-ventilated areas.
2. Install location should not be under trees or any place where the sun is obstructed. The solar panel must be exposed to sunlight in all directions.
3. If the fixture is in storage, it will need to be charged and discharged every 3 months.
4. Problems? Please contact your point of sale contact for assistance.
5. If necessary, dispose of properly through your local recycling center.

Installation Instructions ILLS Series Solar

Initial Precautions:

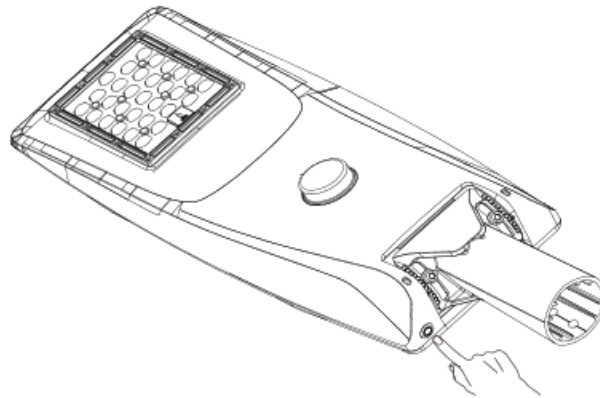
1. Upon opening the box, please make sure that the light is undamaged. If any damage is found, do not install and contact your dealer.
2. Ambient storage temperature range is -13°F - 140°F . Ambient operating temperature is -4°F - 125°F .
3. There are multiple polycarbonate parts on the exterior of the fixture. Take care when handling.

Installation Instructions:

It is recommended that this fixture be installed only by Qualified Personnel.

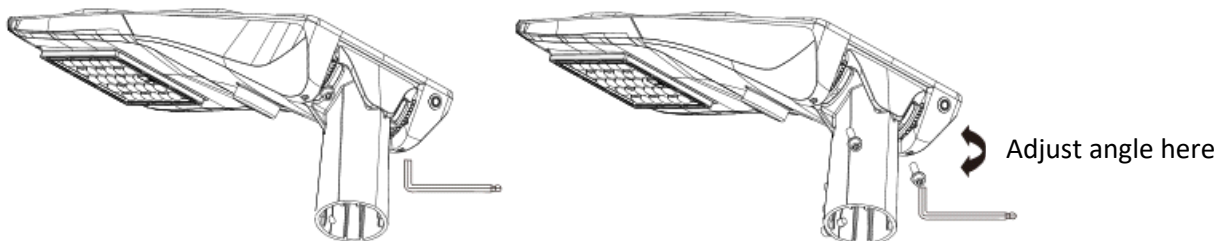
Step 1: Turn on the light.

Press the on/off switch in the below image to turn the fixture on.



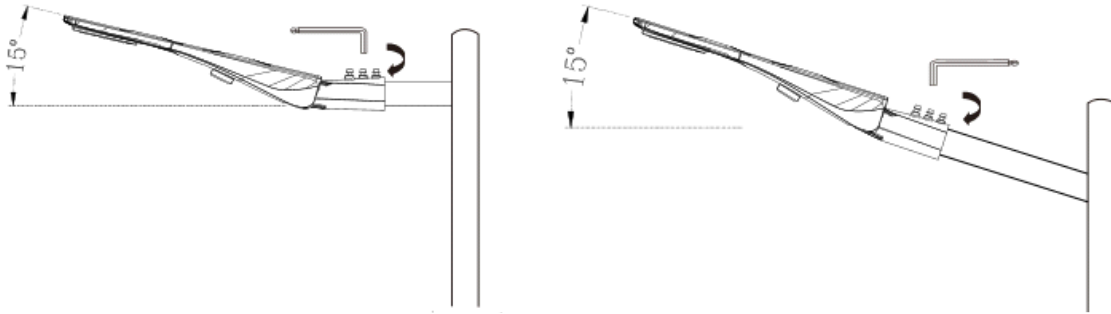
Step 2: Adjust the light angle.

Using an M8 hex wrench, loosen the 2 hex bolts on the top of the adjustment bracket. Once the desired angle is dialed in, tighten the bolts.

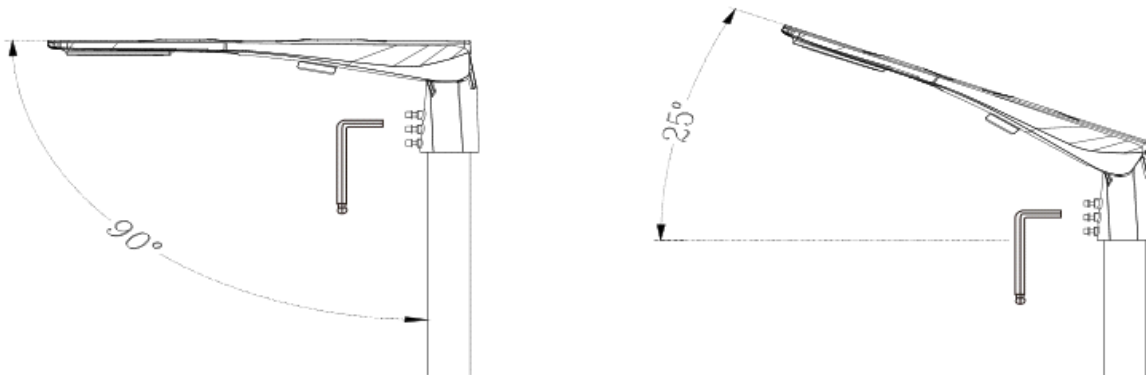


Step 3: Fasten the slipfitter to the tenon/mast arm.

The fixture slipfitter bracket is made to be used with either a 2-3/8" tenon or a 2" mast arm. Loosen the 3/8" mounting bolts on the bracket, install on the tenon/mast arm as in the below image, and using an M8 hex wrench, tighten the bolts.



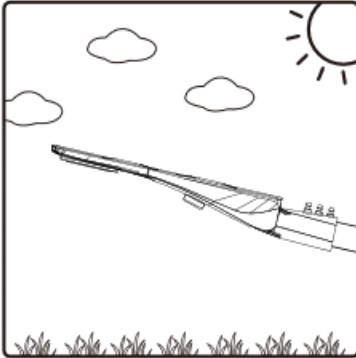
Side Mount Diagram



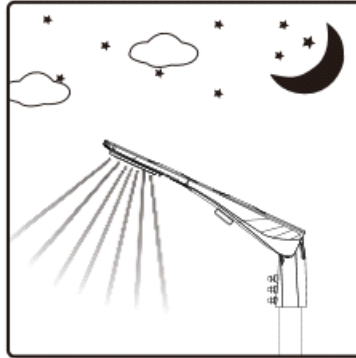
Top Mount Diagram

Step 4: Microwave Sensor

Observe the microwave sensor on the bottom of the fixture and the flashing light inside. This flashing will indicate that the fixture is on and will turn on at night.



During the Day, sunlight charges the LiPo Battery via the solar array.



At night, when unoccupied, the ILLS Series will illuminate at 30% power.



When motion is detected within a 27-33ft range, the ILLS Series will detect that motion and power up to 100%