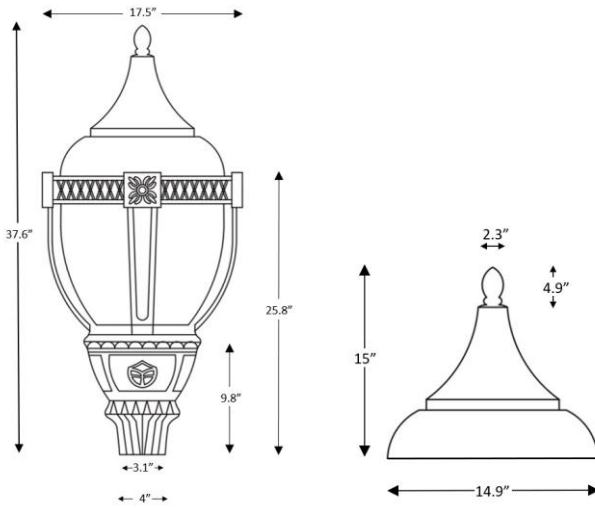




IAFL SERIES - CLASSIC/TRADITIONAL POST TOP LED ACORN LIGHT

FEATURES & SPECIFICATION SHEET



Application

The IAFL series LED Acorn fixture is an ideal choice for replacement of common HPS and Mercury Vapor area-lighting fixtures. Its electronic power supply features a high >0.98 power factor for cool, efficient, flicker-free operation. Common applications include: Parks, shopping malls, outlets, plazas, city halls and historic areas.

Features

- Installation accepts standard 3-inch pole mount or 2-3/8" post top tenon.
- Cast Aluminum Housing with Textured Black powder-coat Finish Over a Chromate Conversion Coating.
- Injection-molded Acrylic lens. Type III or Type V distribution
- Tempered glass lens with option of Matte, Glossy, or Sand blasted. Adjustable Distribution.
- UL listed for wet locations, IP66 Rating.
- 5000k Color Temperature – Maintenance friendly LED array.

Performance

A long lifecycle rating of 60,000 hours.

Warranty

Guaranteed for 5 years against manufacturing defects.



MODEL	WATTS	VOLTS L = 120-277v H = 480v	COLOR TEMP	RETROFIT WATTS	LUMENS	DIMENSIONS
IAFL-40	40w	L / H	5000k	250W	5600Lms	See Diagram
IAFL-50	50w	L / H	5000k	350W	7000Lms	See Diagram
IAFL-70	70w	L / H	5000k	400W	10500Lms	See Diagram
IAFL-100	100w	L / H	5000k	500W	14000Lms	See Diagram



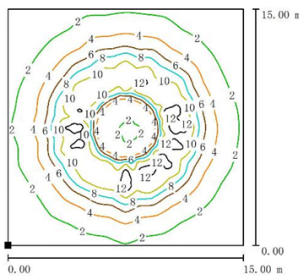
Options

Part #	Description
IL-SPD10A-120	Surge/Spike module 120-277v
IL-SPD20A-480	Surge/Spike module 480v
ISENP2	Photocell Day/Night Sensor - PIR
IL-AG6503L3	Panel Mounted Surge Device
IMPT3, 4, 5	Post Top Tenon Mount - Round
IMPT1, 2	Post Top Tenon Mount - Square

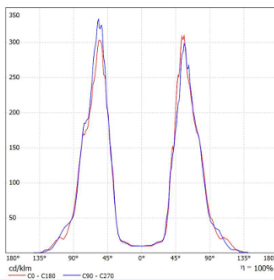


Distribution

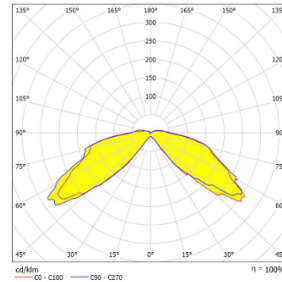
Road Simulated Diagram



Illumination Curve



Luminance Distribution



Packaging

Product Box:
16" x 16" x 28"
1 Fixture

Contents:
Fixture - 1
Lid/Finial - 1
LED Array - 1
Mounting Hardware - 1

